

SARGENT®

ASSA ABLOY

7000

Multi-Point Locking Solutions
7000 Series
Vertical Rod Lock

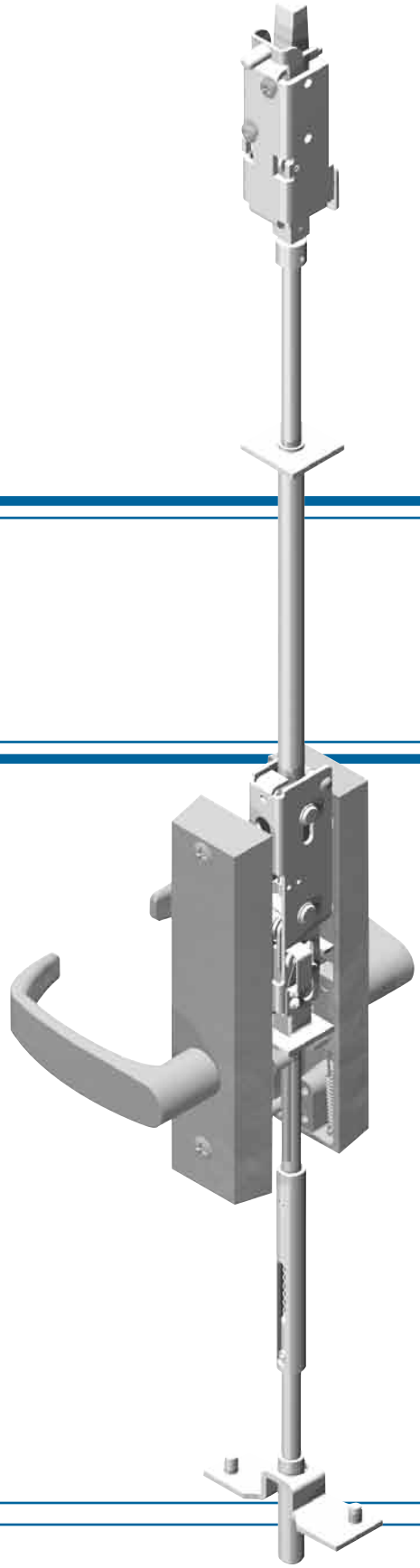


Table of Contents

7000 Series Vertical Rod Locks

Introduction & UL Chart.....	1
ET, ER & ES Controls	2
Standard & Coastal Lever Designs	2
Studio Collection Levers.....	3
7000 Vertical Rod Locks Features and Specifications	4
AD7000 Vertical Rod Locks Features and Specifications.....	5
WD7000 / 12-WD7000 Vertical Rod Locks Features and Specifications.....	6
Electric Latch Retraction Option (ELR)	7
Functions, Descriptions and How to order.....	8
Finishes and Handing.....	9
Ordering Gramercy Series Levers	10
Cylinder Options.....	10-11
Mechanical Options & Rod & Bolt Kits	12-13
Architectural Specifications	13



MicroShield®

As part of their promise to provide innovative solutions to their customers, certain ASSA ABLOY Group brands offer the MicroShield® technology, a silver-based antimicrobial coating designed to inhibit the growth of bacteria. MicroShield® is a registered trademark of Yale Security Inc., an ASSA ABLOY Group company.

MicroShield® Coating

- Revolutionary finish coating available on all SARGENT product lines, utilizes a silver-based antimicrobial compound from Agion Technologies
- As an integral part of the finish coating, MicroShield lasts for the life of the hardware
- MicroShield coating permanently suppresses the growth of bacteria, algae, fungus, mold and mildew. It is effective against a broad spectrum of bacteria.
- Non-toxic and completely safe. The Agion antimicrobial compound is EPA and NSF approved and FDA listed for use in medical and food preparation equipment.
- Applications: Anywhere there is need for a clean environment (hospitals, laboratories, schools, medical centers, daycare, food processing etc.)



Agion has achieved:



Agion's silver antimicrobial has been certified for its material content, recyclability, and manufacturing characteristics. Cradle To Cradle Certified^{CM} products meet established standards for human health, environmental health and recyclability.

Cradle To Cradle Certified^{CM} is a certification mark of MBDC.

On The Cover

- 701515ETL

Introduction & UL Chart

7000 Series Vertical Rod Locks

The 7000 Series Multi-Point Vertical Rod Lock is ideal for security applications and joins the SARGENT line of multi-point door security devices including:

- The Triad 3 Point Mortise Lock with hook bolts
- The FM7100 Multi-Point auto deadlocking system
- Center & Top Latching Exit Devices with the choice of concealed or surface mounted vertical rods

Eliminating the need for automatic flushbolts and coordinators, the 7000 Series provides flexibility, simplicity, strength, durability, aesthetics and innovation and is perfect for a wide variety of applications including conference rooms, commercial office buildings, convention centers, upscale condominiums and residential applications, medical and educational institutions where exit devices are not required.

7000 Series Vertical Rod locks are available for aluminum, wood and metal doors. Single point top latching can also be specified, eliminating the bottom strike and the additional installation work required with a bottom bolt. The single point device is specified with the NB- option.

Rods are retracted by dual mounted controls with a variety of functions available.

The 7000 Series is available for fire rated openings as a 12- for wood or metal doors.

Thermal pin requirements for fire rated doors:

- Double doors with two point latching on each do not require thermal pins
- Double doors with single point latching (NB-) on each require a total of 2 thermal pins, one thermal pin (supplied) for each device.
- Single door applications: contact factory.

Simplicity

- Easy installation!
- Maintenance free design
- Few moving parts – less wear
- Modular construction

Aesthetics

- Clean, simple, aesthetically pleasing design
- “True” architectural hardware finishes consistent with BHMA/ANSI standards
- *Coastal Series* and *Studio Collection decorative levers* available

Security

- Torx® and spanner screws available
- Master keying available with SARGENT security key systems: Degree, Signature, XC, Keso and Keso F1

Innovation

- The 7000 Series is available with a variety of electro-mechanical solutions, including bolt monitoring, solenoid activated trim and inside and outside lever monitoring
- Also available with Harmony® Series, an Integrated Wiegand access control solution. Sold through ASSA ABLOY Authorized Channel Partners. Please refer to the Harmony catalog for more details.

Strength & Durability

- Heavy duty mounting construction
- Built to withstand abusive conditions
- 5 Year warranty

Application	Device	Maximum Door Opening	UL Fire Door Hardware Rating				Notes
			3 Hours (A)	1-1/2 Hour (B)	3/4 Hour (C)	20 min.	
Pair of Doors Swinging in Same Direction	12-7000 x 12-7000	8' x 10' Hollow Metal	X	X	X	X	2A, 2B
	12-NB-7000 x 12-NB-7000	8' x 10' Hollow Metal	X	X	X	X	2A, 2B, 3A
	12-WD7000 x 12-WD7000	8' x 8' Wood		X	X	X	2A, 2B
	12-NB-WD7000 x 12-NB-WD7000	8' x 8' Wood		X	X	X	2A, 2B, 3B
Pair of Doors Swinging in Opposite Directions	12-7000 x 12-7000	8' x 10' Hollow Metal	X	X	X	X	2B
	12-NB-7000 x 12-NB-7000	8' x 10' Hollow Metal	X	X	X	X	2B, 3A
	12-WD7000 x 12-WD7000	8' x 8' Wood		X	X	X	2B
	12-NB-WD7000 x 12-NB-WD7000	8' x 8' Wood		X	X	X	2B, 3B

Any retrofit or other field modification to a fire rated opening can potentially impact the fire rating of the opening, and Sargent Manufacturing Company makes no representations or warranties concerning what such impact may be in any specific situation. When retrofitting any portion of an existing fire rated opening, or specifying and installing a new fire-rated opening, please consult with a code specialist or local code official (Authority Having Jurisdiction) to ensure compliance with all applicable codes and ratings.

Note 1: For single door applications, contact factory.

Note 2A: An astragal cannot be used when both doors are active.

Note 2B: Door construction limitations or building code may require the use of an astragal to match the maximum hardware listing.

Note 3A: Hardware listing requires 2 thermal pins, door-to-door orientation.

Note 3B: Hardware listing requires 2 thermal pins, door-to-floor orientation.

ET, ER & ES Trims Standard & Coastal Lever Designs

7000 Series Vertical Rod Locks

SARGENT®
ASSA ABLOY

ER & ES Controls are ET Controls with back plates.

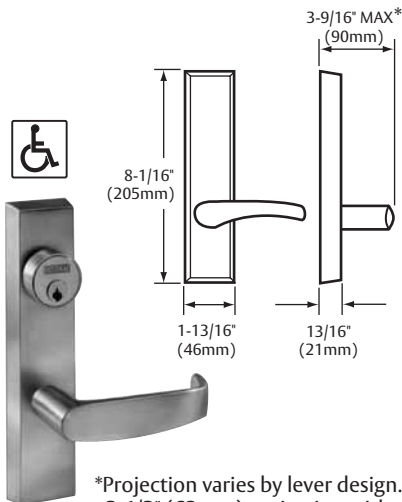
The back plates are:

- Mounted between the trim and the door
- Required for wood doors (WD-)
- Optional on metal doors

Note: May be used to cover existing door preps



ER, ES & ET Lever Controls



*Projection varies by lever design.
2-1/2" (63mm) projection with
L Lever

Standard Levers

A Lever Design

- Lever: A-Solid forged or cast
- Must specify hand when ordering



B Lever Design

- Lever: B-Solid forged or cast



E Lever Design

- Lever: E-Solid forged or cast



F Lever Design

- Lever: F-Solid forged or cast



J Lever Design

- Lever: J-Solid bar stock



L Lever Design

- Lever: L-Solid forged or cast



P Lever Design

- Lever: P-Solid forged or cast



W Lever Design

- Lever: W-Solid bar stock



Coastal Series™ Levers

- Solid Cast Brass

C - Coronado™



G - Gulfport™

- Must specify hand when ordering



R - Rockport™



S - Sanibel™

- Must specify hand when ordering



Y - Yarmouth™

- Must specify hand when ordering



Easy operating lever handle allows convenient one hand operation. Coastal, Studio & standard levers are either brass or bronze. Stainless steel levers are available in standard designs only. The control is brass, plated as required.

The outside trim is specified as a -2 control with function specified (e.g., 713-2 ET, 713-2 ER & 713-2 ES x lever design, hand & finish).

The inside control is a MP and -2 control with function specified (e.g., MP715-2 ET, MP715-2 ER or MP715-2 ES x lever design, hand & finish).

Note: 73 & 74 functions require the voltage to be specified, 12V or 24V.

100 Series Aux Control



- 100 Series Control offers key override for 01, 10, 40, 73 & 74 function devices
- Available functions are 06 & 13
- Supplied with a SARGENT #41 mortise cylinder

Copyright © 2007, 2009, 2011, 2012, Sargent Manufacturing Company, an ASSA ABLOY Group company. All rights reserved. Reproduction in whole or in part without the express written permission of Sargent Manufacturing Company is prohibited.

90147-E 12/15/12

Studio Collection Levers

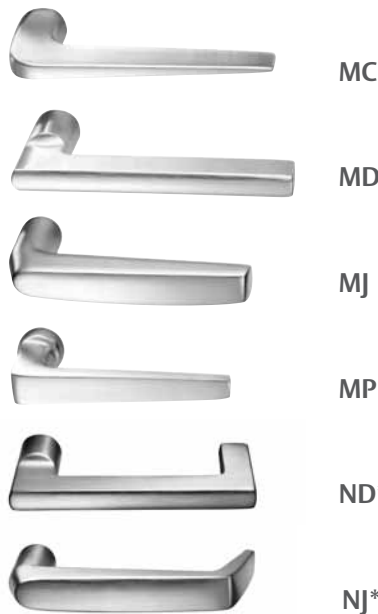
7000 Series Vertical Rod Locks

Studio^{collection}

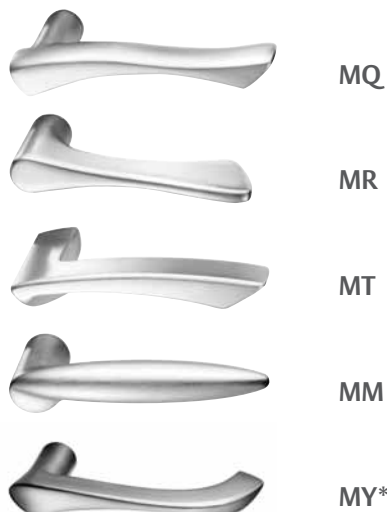
Features

- Studio Collection levers are available with ET, ER & ES trims
- Levers are solid brass or bronze plated accordingly or stainless steel
- Lever finishes available: 03, 04, 09, 10, 10B, 10BL, 14, 15, 20D, 26, 26D
- Always specify hand

Centro Series



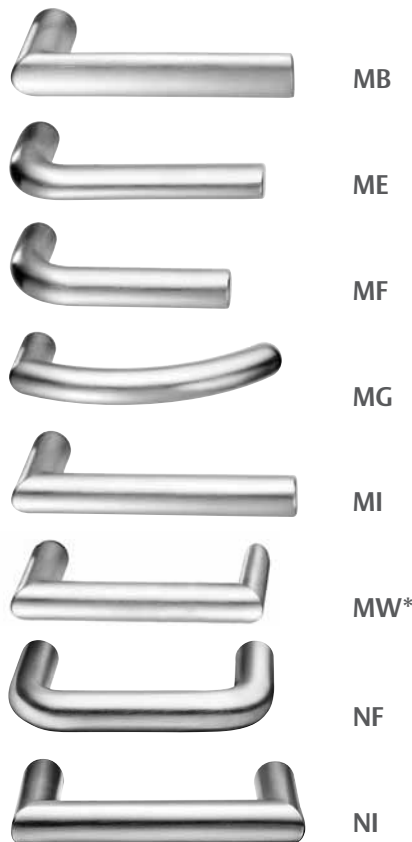
Notting Hill Series



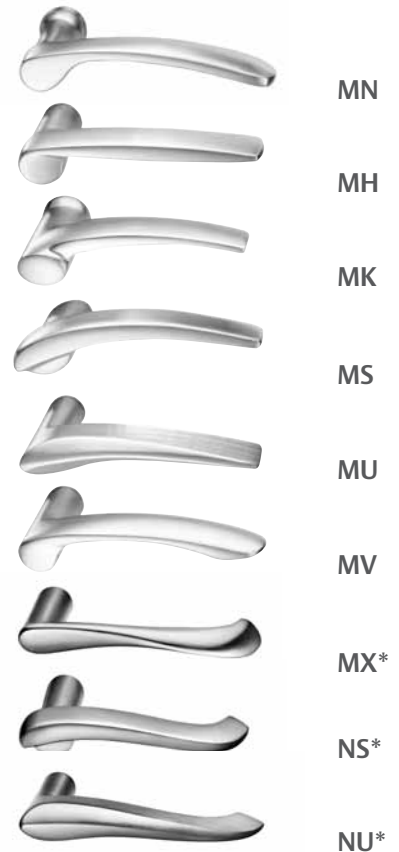
Rialto Series



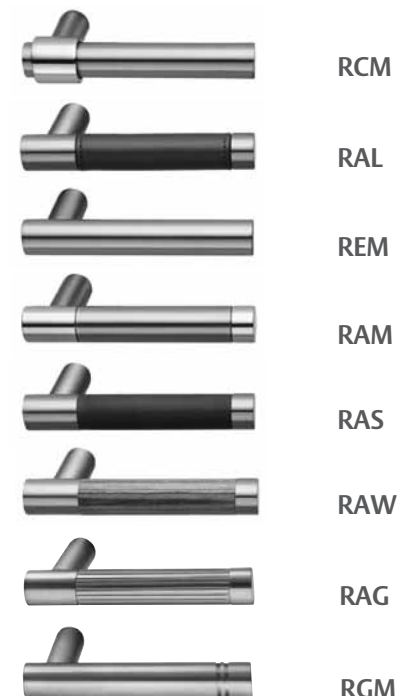
Aventura Series



Odéon Series



Gramercy Series**

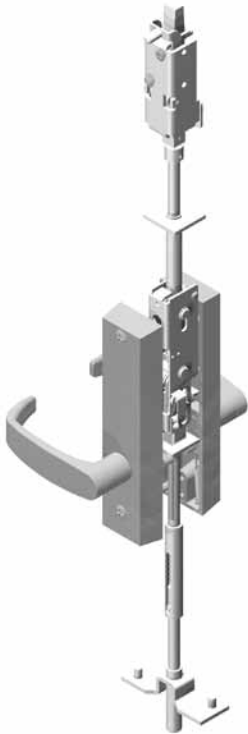


* Lever returns within 1/2" (13mm) of door face

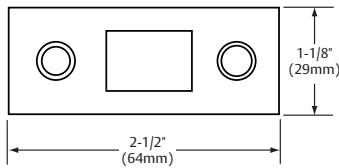
** The Gramercy Levers are customized. Refer to page 8 on how to order.

Features & Specifications

7000 Series Vertical Rod Locks for Metal Doors

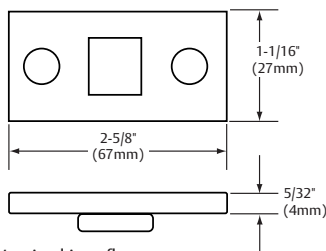


650 Top Strike



- Stainless steel
- Top strike for 7000, 12-7000, NB-7000, 12-NB-7000

606 Bottom Strike



- Mortised into floor
- Stainless steel
- Bottom strike for 7000, 12-7000

Features

- Designed for metal door applications with 2-1/4" Backset
- Concealed rods offer additional security
- Less bottom rod option available, specified as NB-7000 and 12-NB-7000 (For single door applications, consult factory)
- NB- provides free access for wheel chairs and carts
- Single or double door applications
- UL Fire Listed: 12-7000 / 12-NB-7000 (12-NB- is for double door applications only)
- UL Certified to ZHEM.R21744 (HC and WS option)

Specifications

For Doors	Metal doors, 1-3/4" (44mm) door thickness standard, 4-1/2" minimum stile, 2-1/4" backset standard
Mounting	Supplied fasteners are for metal doors with through-bolts for trim
Hand	Field reversible; specify RHR, LHR, RH or LH
Top and Bottom Bolts	Stainless steel. Top and bottom bolt travels 7/16" (11mm) Projection adjustable up to 1" (25mm)
Latching	Top and bottom (7000, 12-7000) or Top only (NB-7000, 12-NB-7000)
Fire Exit Hardware	See Chart page 1
Trim	ET, ER & ES Controls are available with all lever designs. 100 Series Auxiliary Control offer cylinder override for 01, 10, 40, 73 & 74 function devices.
Functions	01, 06, 10, 13, 15, 16, 40, 43, 46 Freewheeling / 73, 74, Electrical
Strikes	650 Top Strike, 606 Bottom Strike, standard
Cylinder	#41 Mortise Cylinder

When ordering always specify:

- Opening height (Standard opening height 96")
- AFF - Above Finished Floor - Centerline of lever to finished floor or threshold (Standard 35-7/8" AFF)

UL Listed:

ANSI/SDI-BHMA A250.13 - 2002	"Testing and Rating of Severe Windstorm Resistant Components for Swinging Door Assemblies."
ANSI/ASTM E330 - 2002	"Standard Test Method for Structural Performance of Exterior Windows, Doors, Skylights and Curtain Walls by Uniform Static Air Pressure Difference"
ANSI/ASTM E1886 - 2005	"Standard Test Method for Performance of Exterior Windows, Curtain Walls, Doors, and Impact Protective Systems Impacted by Missile(s) and Exposed to Cyclic Pressure Differentials"
ASTM E1996-2009	"Standard Specification for Performance of Exterior Windows, Curtain Walls, Doors and Impact Protective Systems Impacted by Windborne Debris in Hurricanes"
TAS 201 - 1994	"Impact Test Procedures" *
TAS 202 - 1994	"Criteria for Testing Impact and Non Impact Resistant Building Envelope Components Using Uniform Static Air Pressure"*
TAS 203 - 1994	"Criteria for Testing Products Subject to Cyclic Wind Pressure Loading" *

* Published in the Florida Building Code for use in the High Velocity Hurricane Zone (HVHZ).

Listed on Florida Building Code Website for Hurricane-Resistance: FL2998**

Standard	Ratings
Approved for use in HVHZ	Yes
Approved for use outside HVHZ	Yes
Impact Resistant	Yes
Design Pressure	+86/-86 psf

UL Certification Directory ZHEM.R21744 Latching Hardware for Hurricane-Resistance**

Standard	Ratings
Door Size	Single or double door applications up to 8'-0" x 8'-0"
Design Pressure	+86/-86 psf
Impact	350 ft-lbs
Latch Strength	688 lbf

**For use with outswing, single and pairs of hollow metal doors and frames as listed with UL.

Features & Specifications

7000 Series Vertical Rod Locks for Aluminum Doors (AD70)

Features

- Designed for aluminum door applications
- Concealed rods offer additional security
- Less bottom rod option available, specified as NB-AD 7000 (For single door applications, consult factory)
- NB- provides free access for wheel chairs and carts
- Single or double door applications

Specifications

For Doors*	Aluminum doors, 1-3/4" (44mm) door thickness standard, 1-7/8" minimum stile, 7/8" backset standard for double doors, 1-1/8" backset for single doors
Mounting	Supplied fasteners are for metal doors with through-bolts for trim
Hand	Field reversible; specify RHR, LHR, RH or LH
Top and Bottom Bolts	Stainless steel. Top and bottom bolt travels 7/16" (11mm) Projection adjustable up to 1" (25mm)
Latching	Top and bottom (AD 7000) or Top only (NB-AD 7000)
Fire Exit Hardware	See Chart page 1
Trim	ET, ER & ES Controls are available with all lever designs. 100 Series Auxiliary Control offer cylinder override for 01, 10, 40, 73 & 74 function devices.
Functions	01, 06, 10, 13, 15, 16 40, 43, 46 Freewheeling 73, 74, Electrical
Strikes	640 Top and Bottom Strike, 639 Top Strike only, standard
Cylinder	#41 Mortise Cylinder

701515 x ETL Shown



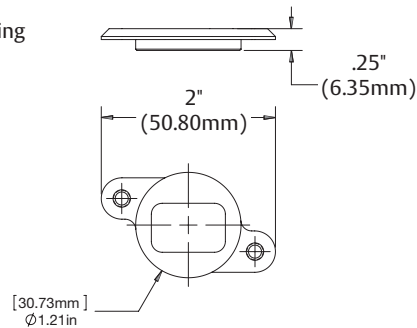
* Consult door manufacturer

When ordering always specify:

- Opening height (Standard opening height 96")
- AFF - Above Finished Floor - Centerline of lever to finished floor or threshold (Standard 35-7/8" AFF)

639/640 Strike Kits

- Steel with Black Nylon Coating
- Machine Screws Supplied
- 640 Kit contains 2 strikes (Top & Bottom)
- 639 Kit contains 1 strike (Top Only)



Features & Specifications

7000 Series Vertical Rod Locks for Wood Doors (WD70)

SARGENT®

ASSA ABLOY

Features

- Designed for wood door applications with 2-1/4" Backset
- Concealed rods offer additional security
- Less bottom rod option available, specified as NB-WD7000 and 12-NB-WD7000 (For single door applications, consult factory)
- NB- provides free access for wheel chairs and carts
- Single or double door applications
- UL Fire Listed: 12-WD7000 / 12-NB-WD7000 (12-NB- is for double door applications only)

Specifications

For Doors	Wood doors, 1-3/4" (44mm) door thickness standard, 4-1/2" minimum stile, 2-1/4" backset standard
Mounting	Supplied fasteners are for metal doors with through-bolts for trim
Hand	Field reversible; specify RHR, LHR, RH or LH
Top and Bottom Bolts	Stainless steel. Top and bottom bolt travels 7/16" (11mm) Projection adjustable up to 1" (25mm)
Latching	Top and bottom (WD7000, 12-WD7000) or Top only (NB-WD7000, 12-NB-WD7000)
Fire Exit Hardware	See Chart page 1
Trim	ER & ES Controls are available with all lever designs. 100 Series Auxiliary Control offer cylinder override for 01, 40, 10, 73 & 74 function devices.
Functions	01, 06, 10, 13, 15, 16 40, 43, 46 Freewheeling 73, 74, Electrical
Strikes	650 Top Strike, 606 Bottom Strike, standard
Cylinder	#41 Mortise Cylinder

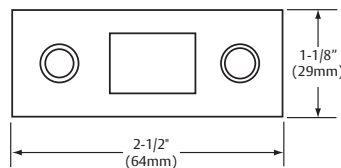


701515 x ETL Shown
(WD7000 requires an ER & ES Control)

When ordering always specify:

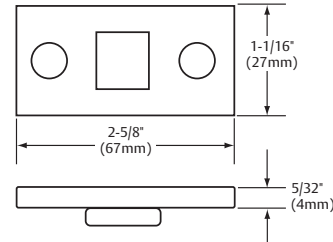
- Opening height (Standard opening height 96")
- AFF - Above Finished Floor - Centerline of lever to finished floor or threshold (Standard 35-7/8" AFF)

650 Top Strike



- Stainless steel
- Top strike, WD7000, 12-WD7000, NB-WD7000, 12-NB-WD7000

606 Bottom Strike



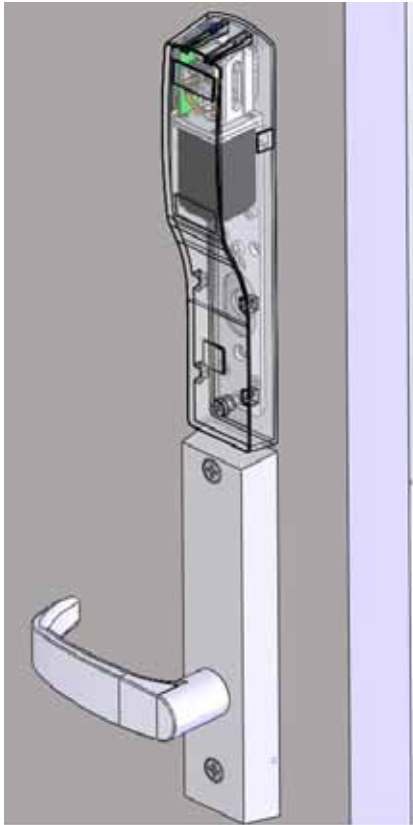
- Mortised into floor
- Stainless steel
- Bottom strike for WD7000, 12-WD7000

Electric Latch Retraction Option (ELR)

7000 Series Vertical Rod Locks

SARGENT's Electric Latch Retraction (ELR) is the perfect choice for high traffic doors that require access control. This non-handed module is durable and easy to install. It utilizes a latch retraction motor rather than a solenoid, ensuring quiet operation ideal for locations such as conference rooms, theaters and libraries. Once retracted, the door functions in a push/pull manner.

The ELR- can be dogged for momentary ingress and egress and is commonly used in conjunction with an automatic door operator. The device can be dogged continuously on fire-rated devices that are tied into the building's fire detection system.



Electric Latch Retraction Features

- 5 year warranty
- Patent pending
- Field serviceable -modular design
- Motor driven latch retraction for smooth, precise operation
- Amount of latch retraction is automatically controlled by the ELR- circuitry; System actively monitors its position and adjusts itself
- Digital retraction timer (0-20 seconds; factory setting is 0)
- Standard electric hinge - no special power transfer required
- Can be used for continuous and intermittent use
- UL Listed for Class II Circuitry
- Power Requirements: 24 or 12VDC regulated/filtered power supply (3500 Series)
- Current draw:
 - 24VDC: 700mA during retraction & 150mA maintained in dogged position
 - 12VDC: 850mA during retraction & 250mA maintained in dogged position
- Available for 7000 series only
- See page 8 for compatible options
- See MCKINNEY's Transfer Device Solutions Catalog for QC Hinge and cable requirements
- Order as a ELR- option
(e.g., ELR-701315 x ETMF x LH x 26D x 96)

Optional Accessories

- 3500 Series Power Supply
- 4370 Keyswitch
- 4291/4292 Keypad
- 3287 Door Status Switch
- 4341 Push Button Switch (momentary)

Functions & Descriptions

7000 Series, AD7000 & WD7000 Series Vertical Rod Locks

How to Order:

Options*	Series	Outside Function	Inside Function	Trim	Lever	Voltage for Electrified Trim**	Hand	Aux Control	Finish	Opening Height
11-NB-	70, AD70, or WD70	(select from chart below)	(select from chart below)	ER, ES, or ET	(refer to pages 2-3)	12VDC	RHR, LHR, RH, or LH	106 or 113	(select from chart below)	84"

* Multiple options may be selected

** Specify voltage desired for 73 & 74 function (12VDC/24VDC)

Note: Mounting height is 35-7/8" AFF standard

Available Function Combinations:	Function	Inside Function									
		06*	13*	15	16	40+	43*	46*	73*+	74*+	
Blank Escutcheon Plate	01	X	X	X			X	X	X	X	
Key unlocks Trim; Trim retracts latch; Trim relocks when key is removed	06	X	X	X			ELR	ELR	X	X	
No outside Operation (No Cylinder); Pull Only	10	X	X	X			ELR	ELR	X	X	
Class Room Key Outside Unlocks/locks Trim; #41 Cylinder Supplied	13	X	X	X			ELR	ELR			
Passage only (No cylinder)	15+	X	X	X			X	X			
Key outside unlocks/locks O/S trim; Key inside unlocks/locks O/S trim	16				X						
Freewheeling Trim; No Outside Operation	40	ELR	ELR				X	X			
Freewheeling Trim; Key Outside Unlocks/locks Trim	43	ELR	ELR	X		X	X	X			
Freewheeling Trim; Key unlocks Trim; Trim retracts latch/Trim relocks when key is removed	46	ELR	ELR	X		X	X	X			
Electrified Trim - Fail Safe	73+	X	X	X					X	X	
Electrified Trim - Fail Secure	74+	X	X	X					X	X	

* Not recommended for use on any door used for Life Safety egress

+ Not available with ELR option

ELR Configuration only available with ELR option

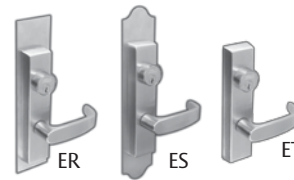
Finishes

Product	Description	BHMA
03	Polished brass, clear coat	605
04	Satin brass, clear coat	606
09	Polished bronze	611
10	Satin bronze, clear powder coat	612
10B	Oxidized bronze, oiled rubbed	613
10BL	Oxidized Satin bronze, clear coat	614
14	Polished Nickel, clear coated	618
15*	Satin Nickel, clear coated	619
20D	Statuary bronze, dark	624
26	Polished chrome	625
26D*	Satin chrome	626

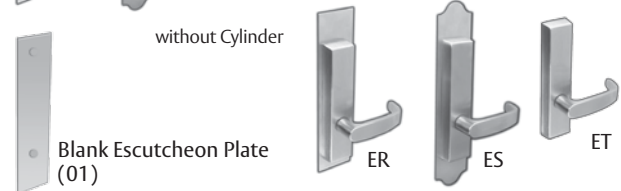
* Available with Microshield. Specify option as SG-

Trim Options

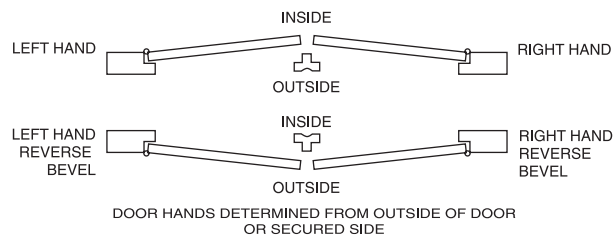
with Cylinder



without Cylinder



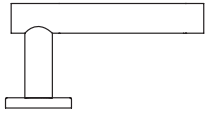
Hand



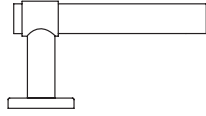
Ordering Gramercy Series Levers

7000 Series Vertical Rod Locks

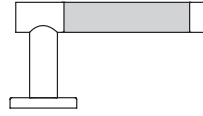
Gramercy Series Levers



REM, RGM



RCM



RAG, RAL, RAM, RAS, RAW

Gramercy Finish Codes

BHMA Finish	SARGENT Finish	Gramercy Code*	Description
630	32D	30	Satin Stainless Steel
629	32	29	Bright Stainless Steel
N/A	N/A	BH	Birch (wood insert)
N/A	N/A	BK	Black (Santoprene™ or leather insert)
N/A	N/A	BN	Brown (leather insert)

*Code used to specify Gramercy Series finishes only. Use available finishes list to specify desired finish when ordering.

Gramercy Lever Descriptions & Available Finishes

Lever Designation	Lever Description	Available Finishes (AS ORDERED)
RAG	Grooved Insert	2929 or 3030
RAL	Leather Insert	29BK, 29BN or 30BK, 30BN
RAM	Metallic Insert	2930** only
RAS	Santoprene Insert	29BK or 30BK
RAW	Wood Insert	29BH or 30BH
RCM	Raised Band	2929, 3030 or 2930**
REM	Plain	2929 or 3030
RGM	Two Grooves	2929 or 3030

**Two-tone finish - grip of lever is 32D, balance of lever is 32. Rose/escutcheon and lock finish will be 32.

To order Gramercy Series levers with SARGENT products, see the examples below. When specifying finish, use the last two digits of the BHMA standard finish code, i.e. use "29" for polished stainless, BHMA finish 629.

7000 Series Vertical Rod Lock Example Available with ER, ES & ET Trims

Options	Series	Outside Function	Inside Function	Trim	Lever	Voltage	Hand	Aux Control	Finish	Opening Height
select from pages 9-10	70	select from page 7	select from page 7	select ER, ES or ET	leather insert	specified for electrical functions	RHR, RH, LHR, or LH	106 or 113	polished or satin stainless, black or brown leather	
54-	70	73	15	ER	RAL	12VDC	RH		29BN	96"

Note: For V-10 Cylinders and information, contact ASSA

Cylinder Options

7000 Series Vertical Rod Locks



Cylinder Options:

Degree Key System	DG1-	SARGENT Degree Key System Level 1 (Bump resistant with patented keys)
	DG1-21-	Degree Level 1 Construction Master Keying
	DG1-60-	Degree Level 1 Removable Disposable Construction Core
	DG1-63-	Degree Level 1 Removable Core
	DG1-64-	Degree Level 1 Removable Construction Keyed LFIC
	DG2-	SARGENT Degree Key System Level 2 (Geographically exclusive; bump and pick resistant)
	DG2-21-	Degree Level 2 Construction Master Keying
	DG2-60-	Degree Level 2 Removable Disposable Construction Core
	DG2-63-	Degree Level 2 Removable Core
	DG2-64-	Degree Level 2 Removable Construction Keyed LFIC
	DG3-	SARGENT Degree Key System Level 3 (Geographically exclusive; UL437 certified; bump and pick resistant)
	DG3-21-	Degree Level 3 Construction Master Keying
	DG3-60-	Degree Level 3 Removable Disposable Construction Core
	DG3-63-	Degree Level 3 Removable Core
DG3-64-	Degree Level 3 Removable Construction Keyed LFIC	
Signature Key System	10-	SARGENT Signature Key System (Not Available with other Key Systems)
	10-21-	SARGENT Signature Construction Key System (Lost Ball)
	10UL-	SARGENT Signature UL437 Key System (Not Available with other Key Systems)
Signature: Large Format Interchangeable Core (Removable Core)	10-63-	SARGENT Signature LFIC (Removable Core) Cylinder
XC- Key System	11-	XC Key System (Not available with other Key systems unless specified)
	11-21-	XC- Construction Key System (Lost Ball)
XC- Large Format Interchangeable Core (Removable Core)	11-60-	Trim to accept XC- Permanent LFIC (Removable Core), Disposable plastic Core- provided
	11-63-	Trim provided with XC- LFIC (Removable Core) Cylinder - (Includes masterkeying, grand masterkeying)
	11-64-	Trim provided with Keyed construction core to accept XC- LFIC (Removable) Permanent Core (ordered Separately)
XC- Small Format Interchangeable Core	11-70-7P-	Trim to accept XC- SFIC (7-Pin) XC- Permanent Cores, plastic disposable core provided
	11-72-7P-	Trim to accept XC- SFIC (7-pin Keyed Construction Core provided) cylinder Permanent core ordered separately
	11-73-7P-	Trim provided with XC- Small Format 7-Pin interchangeable core (Includes masterkeying, grand masterkeying)
	11-65-73-7P-	Trim provided to accept XC- Uncombined 7-Pin SFIC (Permanent) Core - (Packed Loose)
Construction Key Systems	21-	SARGENT Lost Ball Construction Keying for Conventional, XC and Signature Series (N/A with 63- or 73-)
	22-	SARGENT Construction Split Key System for Conventional Cylinders (Existing Systems Only) (N/A with 10-, 11-, 63- or 73-)
Old Style Removable Core	51-	Removable Core Cylinder (Old Style) provided (existing systems only)
	52-	Removable Construction Core (Old Style) Permanent core ordered separately (existing systems only)

Cylinder Options

7000 Series Vertical Rod Locks

Cylinder Options:

Large Format Interchangeable Core (Removable Core)	60-	Trim to accept SARGENT Permanent LFIC (Removable Core), Disposable plastic Core provided (Permanent Cores Ordered Separately)
	63-	Trim provided with LFIC (Removable Core) Cylinder - (Includes masterkeying, grand masterkeying)
	64-	Trim provided with Keyed construction core to accept LFIC (Removable) Permanent Core (ordered Separately)
Small Format Interchangeable Core	70-	Trim to accept 6- or 7-Pin SFIC Permanent Cores, plastic disposable core provided
	72-	Trim to accept 6- or 7-Pin SFIC (6-Pin Keyed Construction Core provided) Cylinder (Permanent Core ordered separately)
	73-	Trim provided with 6-pin SFIC (Includes masterkeying, grand masterkeying)
	65-73-	Trim provided to accept Uncombined 6-Pin SFIC (Permanent) Core - (Packed Loose for field keying)
	65-73-7P-	Trim provided to accept Uncombined 7-Pin SFIC (Permanent) Core - (Packed Loose for field keying)
	73-7P-	Trim provided with Small Format 7-Pin Interchangeable Core (Includes masterkeying, grand masterkeying)
Keso & Keso F1	81-	Trim provided with housings to accept Keso (83) & Keso F1 (F1-83-) removable cores. (Permanent Cores ordered separately)
	82-	Trim provided with SARGENT Keso Security Cylinder
	F1-82-	Trim provided with SARGENT Keso F1 Security Cylinder (Patented)
	83-	Trim provided with SARGENT Keso Security Removable Core cylinder
	F1-83-	Trim provided with SARGENT Keso F1 Security Removable Core cylinder (Patented)
	84-	Trim provided with SARGENT Keso Construction Cores (Permanent Cores ordered separately)
Added Security	BR-	Bump Resistant Cylinder (Available with Conventional & Conventional XC Cylinders Only)
Less Cylinder	LC-	Less Cylinder - SARGENT supplies standard blocking rings for 1-1/8" Cylinders (For longer cylinders order collars/rings separately)
Schlage Keyways	SC-	Schlage C keyway cylinder, 0 bitted
	SE-	Schlage E keyway cylinder, 0 bitted

Note: For V-10 Cylinders and information, contact ASSA

Mechanical Options & Rod & Bolt Kits

7000 Series Vertical Rod Locks



Mechanical Options:

UL Listings	*12-	UL Fire Label Exit hardware
	HC	Hurricane-Resistant (available on metal doors only; Maximum openings 8'0" x 8'0")
	WS	Windstorm Resistant (available on metal doors only; Maximum openings 8'0" x 8'0")
Thick Doors	31-	Doors over 1-3/4" and/or Panels (Specify door thickness, panel thickness & location as required)
Security Fasteners	36-	Six lobe security head screws
	37-	Spanner head screws
Electrical Options	53-	Latchbolt monitoring switch
	54-	Monitors outside lever with micro switch in the control
	55-	Monitors inside lever with micro switch in the control
	ELR	Electric Latch Retraction
Tactile Warning Options	75-	Tactile Warning - Milled Inside Lever (Not available with Studio & Coastal Levers and the A Lever)
	76-	76- Tactile Warning - Milled Outside Lever (Not available with Studio & Coastal Levers and the A Lever)
	77-	77- Tactile Warning - Milled Inside & Outside Levers (Not available with Studio & Coastal Levers and the A Lever)
	85-	85- Tactile Warning - Abrasive coating on Inside Lever
	86-	86- Tactile Warning - Abrasive coating on Outside Lever
	87-	87- Tactile Warning - Abrasive coating on Inside & Outside Levers
	88-	88- Lever Hold Back (Not available with 12-)
Finish Protection	CPC-	Clear Powder Coat (Available for 26, 26D, 32 & 32D Finishes)
	** SG-	MicroShield® antimicrobial clear powder coat
Top Rod Only	NB-	No bottom rod

* One thermal pin is supplied with each 12-NB-WD7000 device for double door application. Fire Rated 12-NB-WD7000 is not available on single door applications

** Available on 15, 26D, and 32D finishes only

+ Sold through ASSA ABLOY Authorized Channel Partners

Mechanical Options & Rod & Bolt Kits & Architectural Specifications

7000 Series Vertical Rod Locks

Mounting Heights

- 35-7/8" (911mm) from finished floor to centerline of lever for standard application

Thermal Pins

- 12-7000 or 12-WD7000 devices installed on pairs of fire-rated doors do NOT require thermal pins.
- 12-NB7000 and 12-NB-WD7000: devices are supplied with ONE thermal pin per fire-rated device, for installation on pairs of fire-rated doors.
- For single door applications, consult factory.

Rod Replacement Kits

Product	Top Rod Kit	Bottom Rod Kit
7000, AD7000	MD663T*	663B**
WD7000	WD663T*	663B**
WD7000 x AUX	WDA663T*	663B**

Rod & Bolt Replacement Kits

Product	Top Rod & Bolt Kit	Bottom Rod & Bolt Kit
7000, AD7000	MD694T*	694B**
WD7000	WD694T*	694B**
WD7000 x AUX	WDA694T*	694B**

- * Opening height required & mounting height is 35-7/8" standard
 ** Mounting height is 35-7/8" standard

Architectural Specifications

- Multi-Point Locking Solutions shall be 7000 Series devices as manufactured by SARGENT Manufacturing Company, New Haven, CT.
 - Multi-Point Locking Solutions shall be certified to meet or exceed the requirements of ANSI/BHMA A156.3 Grade 1.
 - Multi-Point Locking Solutions shall be listed by Underwriters Laboratories and bear the UL label for life safety in full compliance with NFPA 80 and NFPA 101. Multi-Point Locking Solutions for fire labeled doors shall be UL listed as "Fire Exit Hardware".
 - Rods shall be retracted in one operation by dual mounted lever controls with a complete range of functions, including electro-mechanical, on the secure side of the door.
 - The device shall also be available as a single latching device with top latching only, eliminating the bottom strike.
 - Lever trim shall be available in finishes and designs to match that of the specified locksets.
 - There are no approved substitutes.
 - Exit devices shall have a five year limited warranty.
- These guidelines should be referenced regularly and as required for proper appearance and longevity of finish.

SARGENT Manufacturing Company
100 Sargent Drive
New Haven, CT 06511 USA
800-727-5477 • www.sargentlock.com

Founded in the early 1800s, SARGENT[®] is a market leader in locksets, cylinders, door closers, exit devices, electro-mechanical products and access control systems for new construction, renovation, and replacement applications. The company's customer base includes commercial construction, institutional, and industrial markets.

Copyright © 2007, 2009, 2011, 2012, Sargent Manufacturing Company, an ASSA ABLOY Group company. All rights reserved. Reproduction in whole or in part without the express written permission of Sargent Manufacturing Company is prohibited.

ASSA ABLOY is the global leader in door opening solutions, dedicated to satisfying end-user needs for security, safety and convenience.